

LED MAGNIFYING LIGHT



FP-30-L SERIES

Designed with a magnified optical lens on luminaire head giving 5 diopter of magnification 2.25x than actual object.

Features:

- One piece fabricated PC front shade
- Choice of clamp, lock, or magnetic base.
- Modern structure. Low power consumption only 14 watt LED 5700K.
- Silver or black color for choice.
- Articulated arm available.
- Low heat emission.
- Ideal for assembly, workshop, or office applications.
- Custom specifications are available.
- Equipped with a LED driver for directly connecting to voltage of AC power. (100V~240V) (50Hz/60Hz) with plug. (For high voltage)
- Furnished with 1.8 meter (70") cord.
- Brightness adjustment range 10-100%.

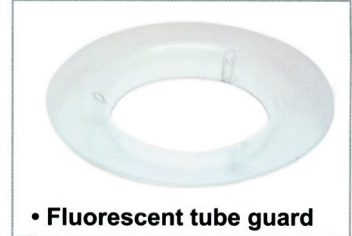
FP-30LEBF-L

- Long arm model.
- 14 watt LED.

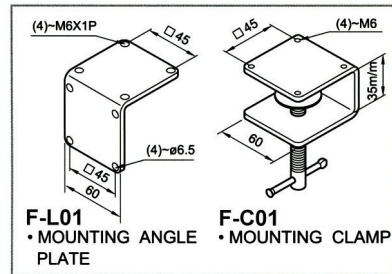
OPTION



STANDARD



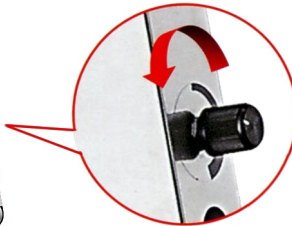
OPTION



• FP-30LEB-L LONG ARM

• FP-30MEB-L MEDIUM ARM

Brightness Adjustment Range 10-100%



850mm

• FP-30LEBF-L

FP-30TEB-L

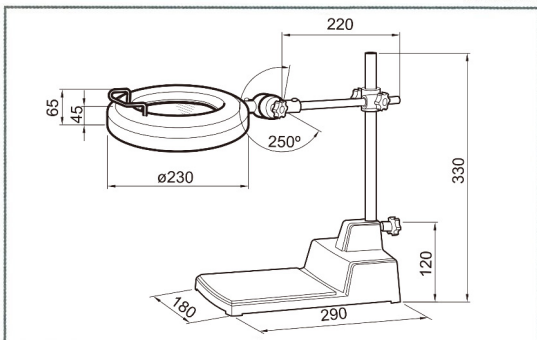
- Bench type model.
- 14 watt LED.



• FP-30TEB-L BENCH TYPE

DIMENSIONS

Unit:mm



DIMENSIONS

Unit:mm

