

FP-70R-L SERIES

LED driver is built in the lamp head

Low voltage power AC24V or DC24V is available.
Also, special voltage can be specified.

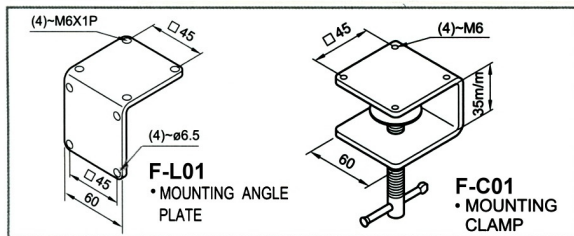
Feature

- Various lighting angles to select 25°, 60° and 80°.
Standard lighting angle is 60°.
- Power of each LED bulb is 2W x 6 pcs.
- LED driver can be externally mounted for increasing LED bulbs.
- Reinforced lense for high crack-resistance.
- Well prevention for explosion, dust, coolant and lubricant.
- Furnished with 1.8 meters of cord without plug.
- Applicable for semiconductor manufacturing equipment and clean room.
- Free of infrared ray and ultraviolet ray radiation.

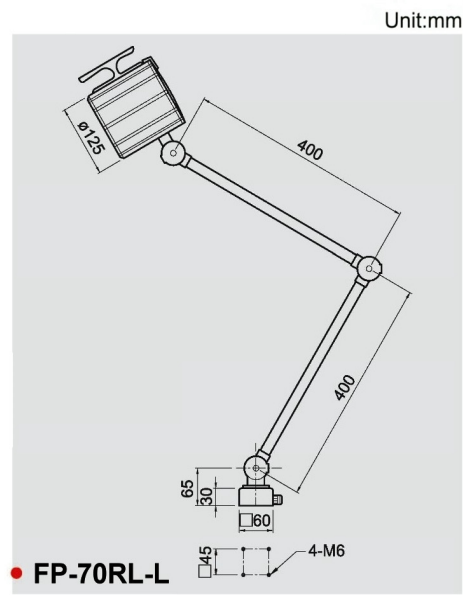
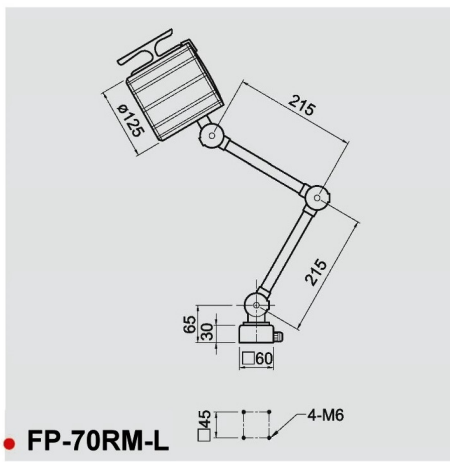
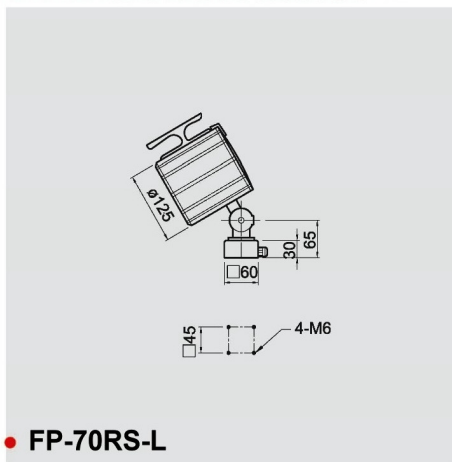


• FP-70RS-L • FP-70RM-L • FP-70RL-L

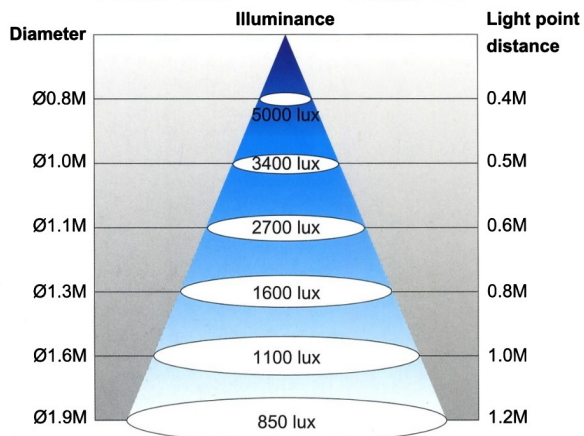
OPTION



DIMENSION DRAWINGS



Power LED 2Wx6 60°



Power LED 2Wx6 25°

